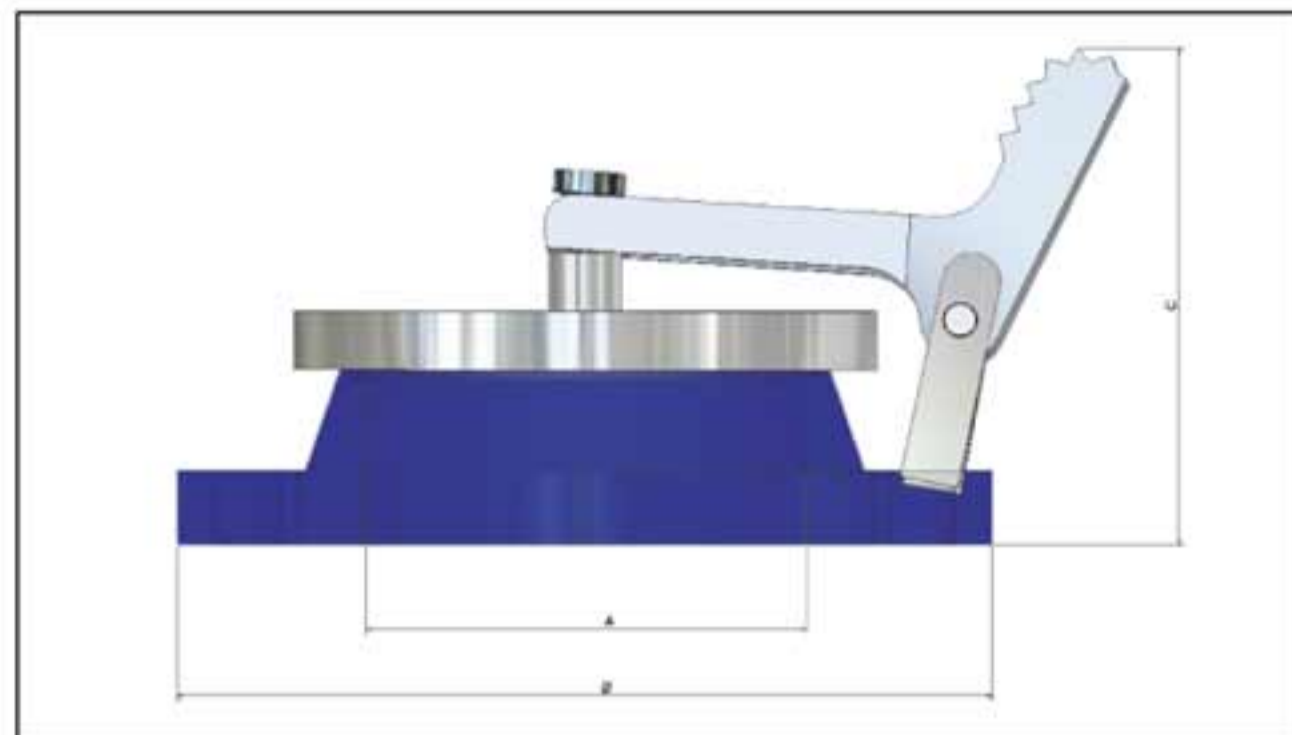


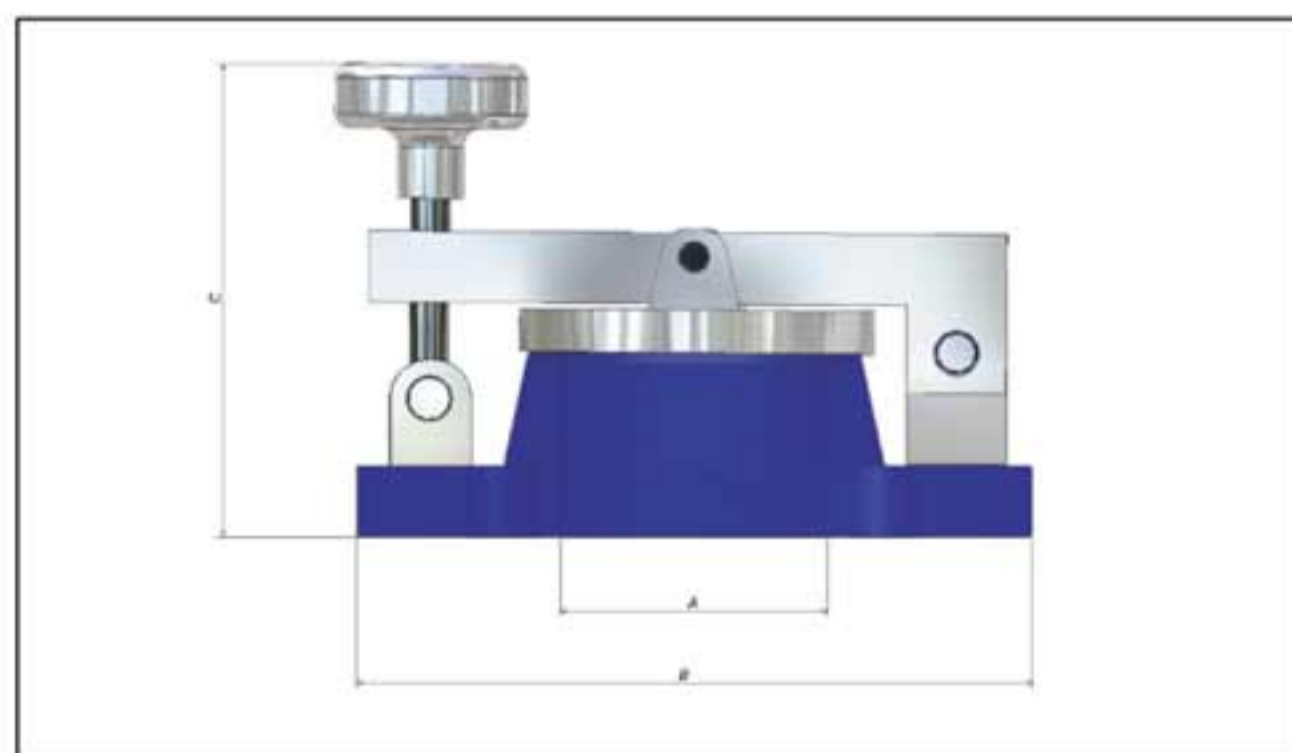
# B500

# B500 Series Gauge Hatches



**DIMENSIONS B500 Free Lift**

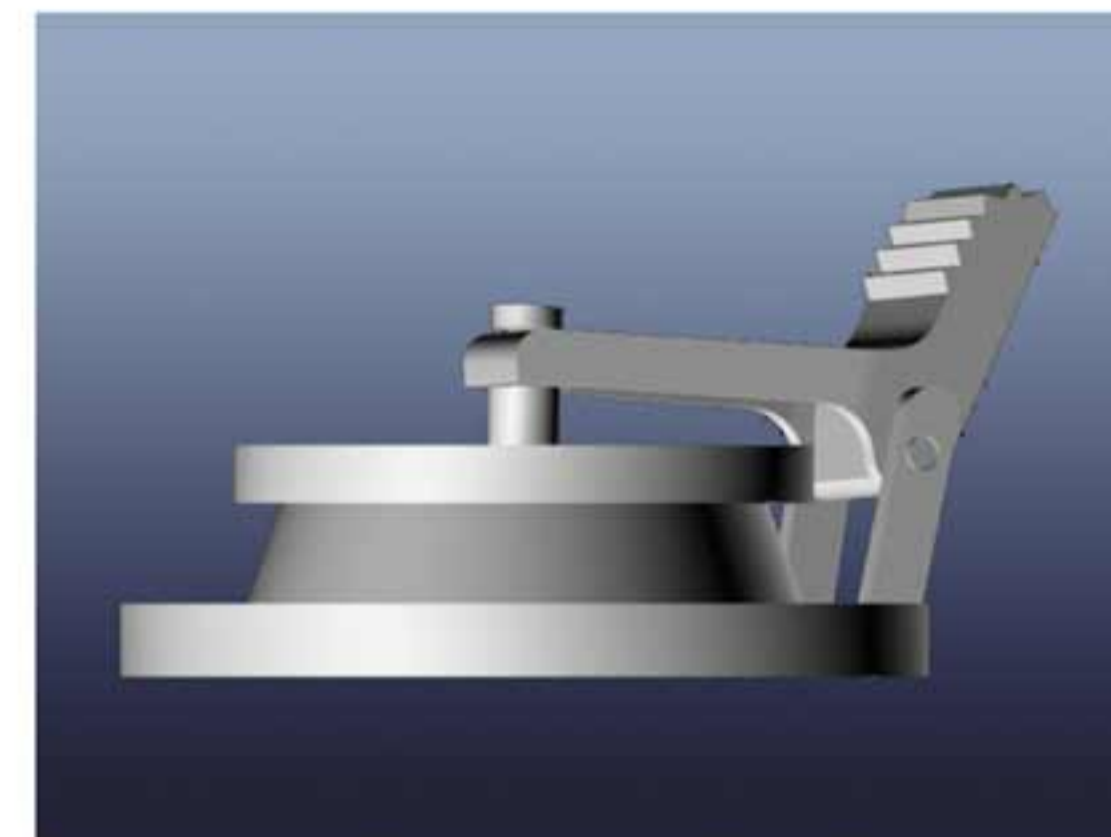
NOM SIZE	A	B	C
80 (3")	76	190	105
100 (4")	102	229	111
150 (6")	152	279	124
200 (8")	203	343	137



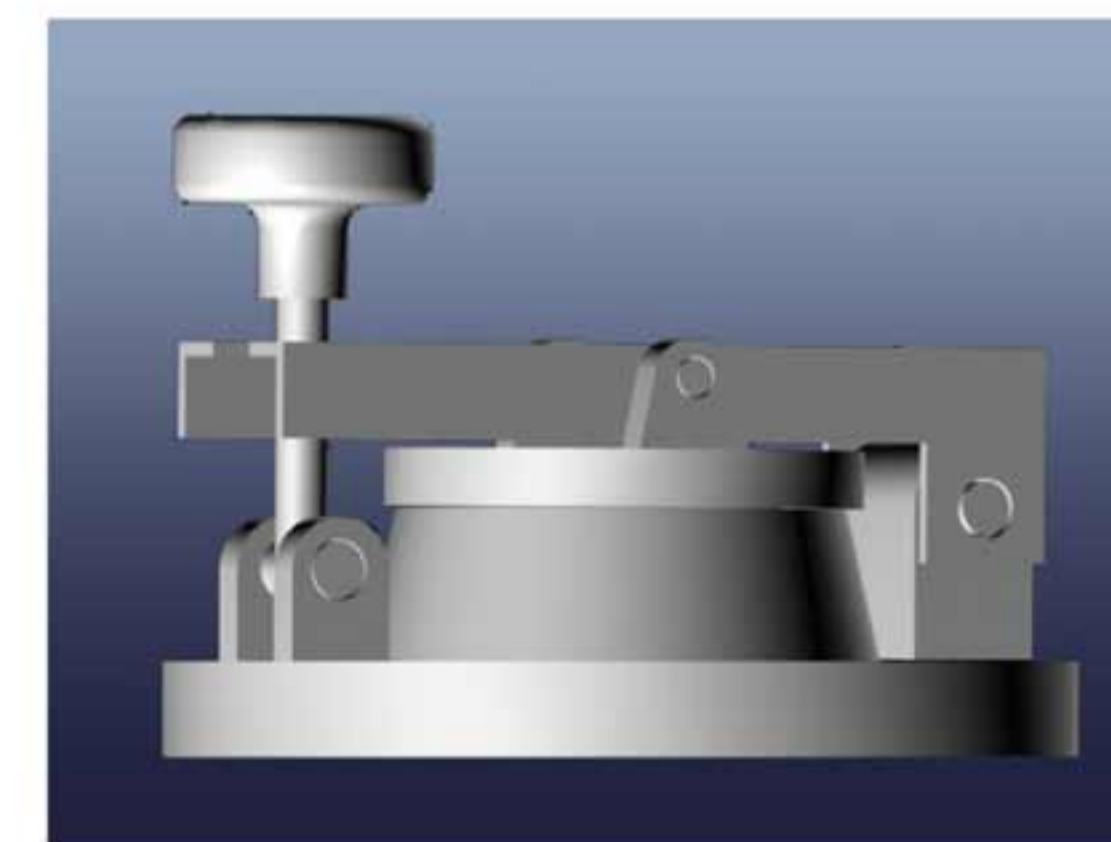
**DIMENSIONS B500 Screw Down**

NOM SIZE	A	B	C
80 (3")	76	190	110
100 (4")	102	229	116
150 (6")	152	279	129
200 (8")	203	343	142

The B500 Series are designed to provide access to tanks or vessels for sampling, measurement and inspection.



B500 Free Lift



B500 Screw Down



**3B CONTROLS**



**3B CONTROLS**



## FEATURES

### Low cost maintenance

Lightweight design provides easy handling whilst interchangeable components ensure standard parts are easily replaced.

### Testing / Quality

All products are factory tested and fully certified.

### Self Draining

All products are designed to ensure that condensate drains away from all seating areas.

### Connections

All valves are supplied with full form flanges to meet individual requirements. Other connections are available upon request.

### Non Standard Applications

There are numerous options available for special applications. Exotic materials such as Hastelloy, Monel and various plastics can be offered to suit the most hazardous of environments. Special coatings can also be applied for extreme service. For low temperature duties, internal parts can be PTFE coated to prevent seizure.

**See separate section in catalogue.**

\* All products are subject to continuous development and subsequently 3B Controls reserve the right to change specifications outlined in this catalogue without notification.

## MATERIALS

### Body

Aluminium  
Carbon Steel  
Stainless Steel

### O'Ring

Viton / P.T.F.E  
Others consult factory

### Internals

Stainless Steel

### Flanges

ANSI 125 ANSI 150 RF  
DIN Standard flanges

- Size range 3" ( 100 mm ) – 8" ( 200 mm )
- Free lift or screw down option
- Standard body materials – Aluminium, Carbon steel, Stainless steel
- O'Ring seals
- Standard full form flanges – ANSI / DIN
- **Non standard applications – Consult factory**

