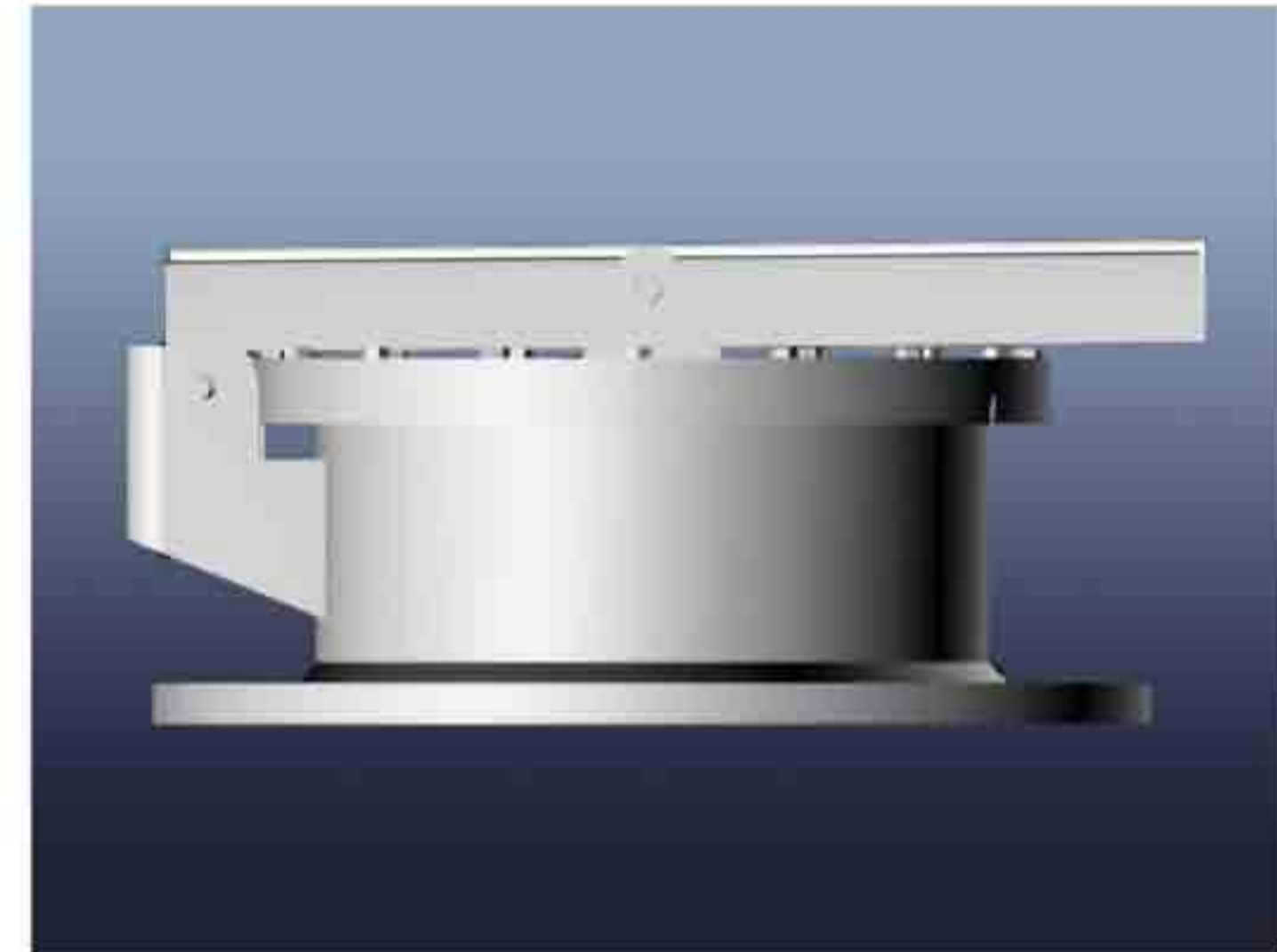


B400 Series Weight Loaded Emergency Relieving Manway

Flow in Nm³/hr

Size		Set Pressure mbarg					
		5	15	30	50	70	100
10" (250mm)	OVER PRESS 10%	2613	4524	6394	8249	9753	11643
	OVER PRESS 20%	2729	4725	6678	8615	10184	12157
	OVER PRESS 50%	3681	4226	8957	11551	13653	16293
12" (300mm)	OVER PRESS 10%	3763	6515	9208	11879	14045	16766
	OVER PRESS 20%	3930	6805	9617	12405	14665	17506
	OVER PRESS 50%	5272	9128	12898	16634	19660	23462
16" (400mm)	OVER PRESS 10%	6890	11582	16370	21118	24967	29807
	OVER PRESS 20%	6987	12097	17097	22053	26071	31121
	OVER PRESS 50%	9373	16227	22930	29570	34950	41710
18" (450mm)	OVER PRESS 10%	8466	14659	20719	26727	31600	37724
	OVER PRESS 20%	8843	15310	21638	27911	32966	39388
	OVER PRESS 50%	11863	20537	29021	37427	44237	52789
20" (500mm)	OVER PRESS 10%	10452	18097	25579	32996	39012	46574
	OVER PRESS 20%	10917	18901	26713	34458	40736	48627
	OVER PRESS 50%	14646	25355	35828	46205	54613	65170
24" (600mm)	OVER PRESS 10%	15052	26060	36833	47515	56177	67066
	OVER PRESS 20%	15721	27218	38467	49619	58660	70024
	OVER PRESS 50%	21090	36511	51594	66536	78643	93847

The B400 Series ensures that tanks and vessels are kept safe during periods of excessive pressure due to external fire sources and also allows access to the tank for inspection / cleaning purposes.



- Standard Pressure settings + 4 mbarg to 140 mbarg
- Size range 10" (250 mm) – 24" (600 mm)
- Standard body materials – Aluminium, Carbon steel, Stainless steel
- Diaphragm material - FEP
- Machinable seats
- Standard drilled flanges – ANSI / DIN / API
- Automatic re seat
- **Non standard applications – Consult factory**



3B CONTROLS

3B CONTROLS



PRESSURE & VACUUM RELIEF VALVES

PRESSURE & VACUUM RELIEF VALVES

FEATURES

Low cost maintenance

Lightweight design provides easy handling whilst interchangeable components ensure standard parts are easily replaced.

Testing / Quality

All products are factory tested and fully certified.

Self Draining

All products are designed to ensure that condensate drains away from all seating areas.

Low leakage

Standard seating design ensures minimum leakage of less than 1 scfh at 90% of set pressure.

Internal Parts

Internal parts are stainless steel as standard. Non standard materials available upon request.

Connections

All valves are supplied with drilled flanges to meet individual requirements.

Non Standard Applications

There are numerous options available for special applications. Exotic materials such as Hastelloy, Monel and various plastics can be offered to suit the most hazardous of environments. Special coatings can also be applied for extreme service. For low temperature duties, internal parts can be PTFE coated to prevent seizure.

See separate section in catalogue.

* All products are subject to continuous development and subsequently 3B Controls reserve the right to change specifications outlined in this catalogue without notification.

MATERIALS

Body

Aluminium
Carbon Steel
Stainless Steel

Diaphragm

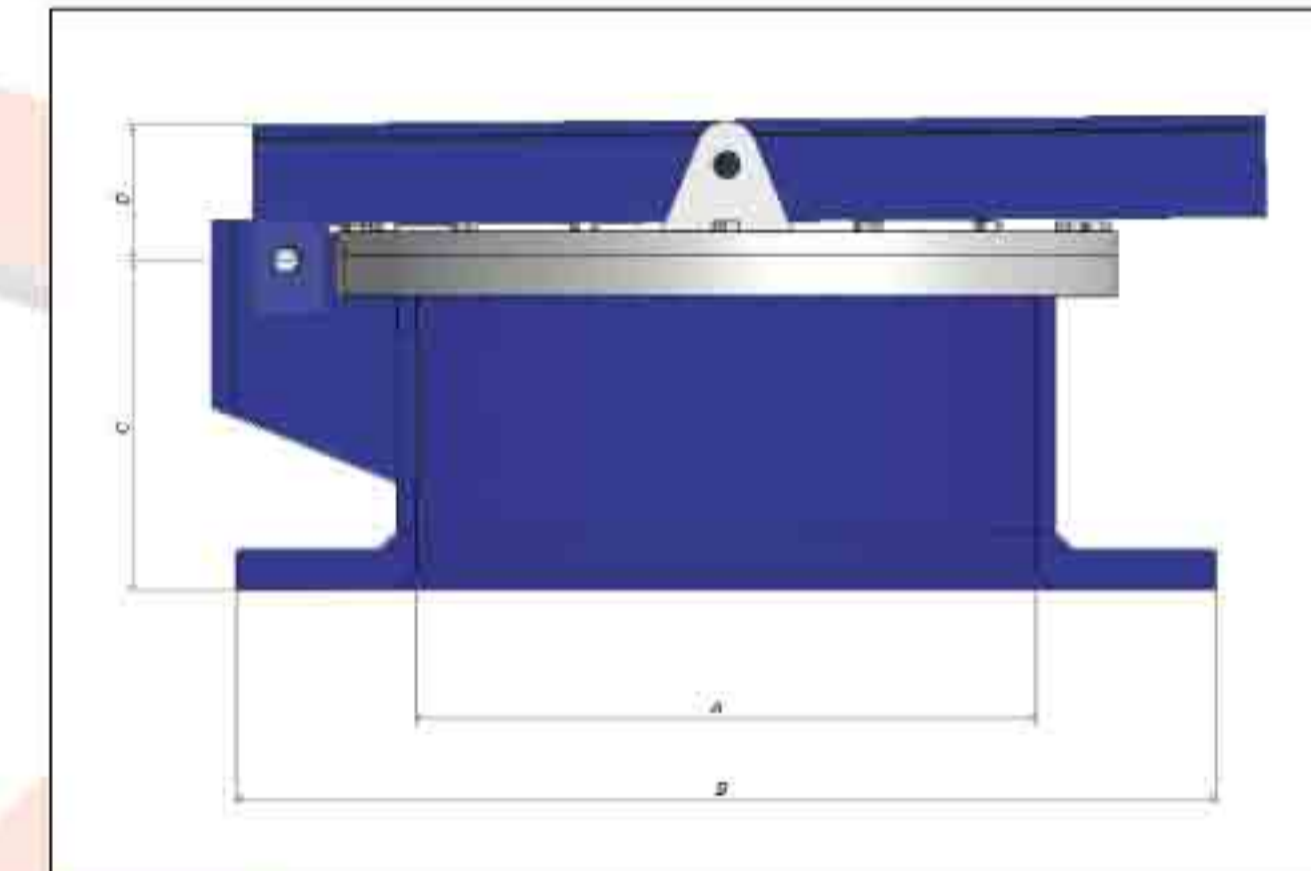
F.E.P
Others consult factory

Internals

Stainless Steel

Flanges

ANSI 125 ANSI 150 RF
DIN Standard flanges



DIMENSIONS

NOM SIZE	A	B	C	D
450 (18")	457	635	176	80
500 (20")	508	698	176	80
600 (24")	609	813	176	80

