

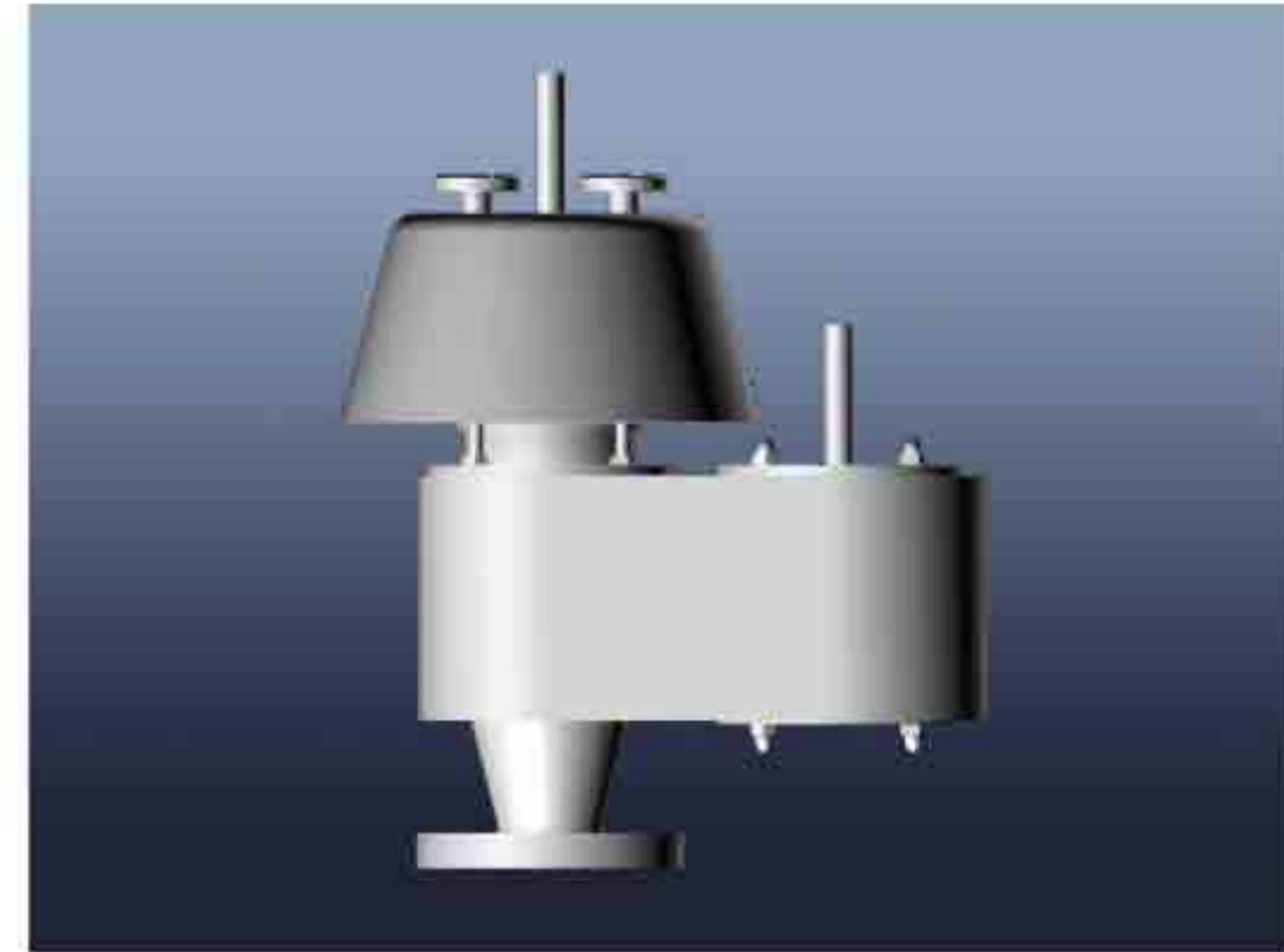
**B100 Series Weight loaded Open Vent Pressure & Vacuum Relief Valve**

Flow in Nm<sup>3</sup>/hr

Size	Set Pressure mbarg						Set Vacuum mbarg						
	2	5	10	25	50	70	2	5	10	25	50	70	
2" (50mm) OVER PRESS	10%	65	103	145	231	327	387	32	50	71	113	159	174
	20%	80	127	180	285	402	475	43	68	96	151	214	234
	50%	123	195	273	431	610	721	73	115	163	258	383	400
3" (80mm) OVER PRESS	10%	147	233	329	515	733	869	72	113	160	255	355	390
	20%	182	290	409	642	905	1071	96	152	215	340	483	527
	50%	276	435	619	978	1383	1634	163	260	369	578	828	902
4" (100mm) OVER PRESS	10%	261	409	581	923	1305	1547	128	200	285	450	630	700
	20%	322	509	719	1138	1600	1894	172	271	385	607	853	940
	50%	489	772	1100	1736	2463	2900	293	465	656	1027	1456	1600
6" (150mm) OVER PRESS	10%	582	930	1320	2044	2945	3450	284	452	644	1014	1427	1574
	20%	723	1147	1619	2560	3610	429	385	610	865	1360	1927	2114
	50%	1108	1740	2479	3910	5544	6550	657	1085	1457	2300	3300	3615
8" (200mm) OVER PRESS	10%	1050	1650	2343	3678	5239	6187	509	805	1129	1798	2545	2800
	20%	1290	2039	2890	4560	6431	7631	686	1085	1535	2420	3424	3750
	50%	1970	3110	4022	5952	8829	11649	1173	1856	2617	4156	5786	6410
10" (250mm) OVER PRESS	10%	1632	2590	3632	5770	8120	9678	800	1255	1389	2780	3925	4293
	20%	2020	3189	4500	7098	10009	11910	1013	1700	2400	3790	5350	5857
	50%	3081	4854	6900	9756	15400	18110	1823	2900	4087	6423	8345	9997
12" (300mm) OVER PRESS	10%	2350	3725	5250	8315	11789	13890	1155	1780	2667	3987	5749	6200
	20%	2897	4600	6465	10271	14440	17123	1548	2440	3450	5489	7698	8448
	50%	4446	7000	9934	15650	22100	26209	2643	4150	5868	9230	13090	14210

The B100 Series ensures that tanks and vessels are kept safe during periods of excessive pressure and vacuum caused by filling and emptying of product and changes in temperature due to climatic or external fire sources.

**OPEN VENT**



- Open or Closed vent available
- Standard Pressure settings + 2 mbarg to 100 mbarg
- Standard Vacuum settings - 2 mbarg to - 60 mbarg
- Size range 2" ( 50 mm ) - 12" ( 300 mm )
- Standard body materials - Aluminium, Carbon steel, Stainless steel
- Standard trim material - Stainless steel
- Diaphragm material - FEP
- Removable seats
- Standard full form flanges - ANSI / DIN
- Lightweight design
- **Non standard applications - Consult factory**



**3B CONTROLS**

**3B CONTROLS**



PRESSURE & VACUUM RELIEF VALVES

PRESSURE & VACUUM RELIEF VALVES

## FEATURES

### Low cost maintenance

Lightweight design provides easy handling whilst interchangeable components ensure standard parts are easily replaced.

### Testing / Quality

All products are factory tested and fully certified.

### Self Draining

All products are designed so that any condensate drains away from all seating areas.

### Low leakage

Standard seating design ensures minimum leakage of less than 1 scfh at 90% of set pressure.

### Internal Parts

Internal parts are stainless steel as standard. Non standard materials available upon request.

### Connections

All valves are supplied with full form flanges to meet individual requirements. Other connections are available upon request.

### Non Standard Applications

There are numerous options available for special applications. Exotic materials such as Hastelloy, monel and various plastics can be offered to suit the most hazardous of environments. Special coatings can be applied for extreme service. For low temperature duties, internal parts can be PTFE coated to prevent seizure.

**See separate section in catalogue.**

\* All products are subject to continuous development and subsequently 3B Controls reserve the right to change specifications outlined in this catalogue without notification.

## MATERIALS

### Body

Aluminium  
Carbon Steel  
Stainless Steel

### Diaphragm

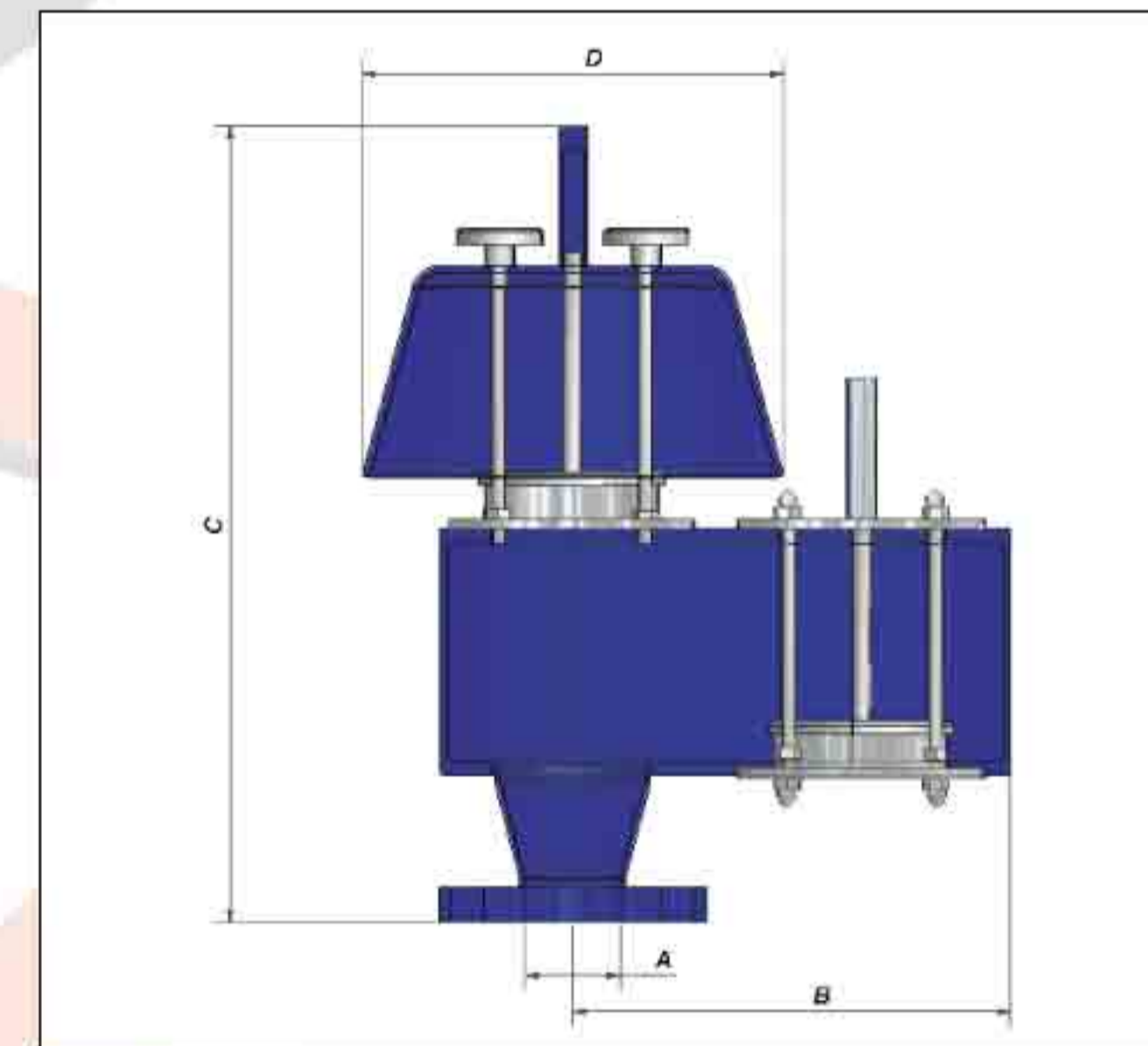
F.E.P.  
Others consult factory

### Internals

Stainless Steel

### Flanges

ANSI 125 ANSI 150 RF  
DIN Standard flanges



## DIMENSIONS

NOM SIZE	A	B	C	D
50 (2")	54	250	453	230
80 (3")	84	287	498	264
100 (4")	108	330	548	304
150 (6")	161	380	603	350
200 (8")	211	437	663	402
250 (10")	255	503	729	462
300 (12")	305	578	802	531

