

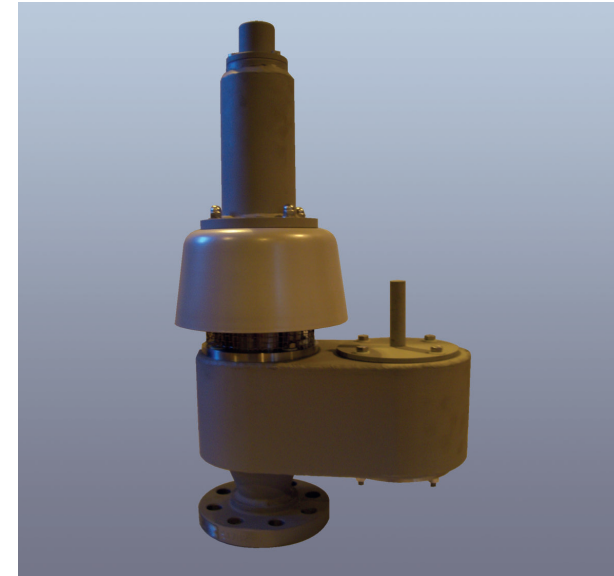
B100s Series spring loaded open vented Pressure & Vacuum Relief Valve

Flow in m³/hr

Size	Set Pressure mbarg						Set Vacuum mbarg						
	70	100	250	500	750	1000	2	5	10	25	50	60	
2"(50mm) OVER PRESS	10%	153	175	283	403	462	525	32	50	71	113	159	174
	20%	236	270	437	624	717	817	43	68	96	151	214	234
	50%	349	399	651	940	1092	1254	73	115	163	258	363	400
3"(80mm) OVER PRESS	10%	305	462	598	801	933	1075	72	113	160	255	355	390
	20%	470	712	925	1246	1460	1688	96	152	215	340	483	527
	50%	697	1059	1392	1907	2265	2654	163	260	369	578	828	902
4"(100mm) OVER PRESS	10%	590	737	1060	1469	1831	2066	128	200	285	450	630	700
	20%	909	1137	1643	2293	2876	3262	172	271	385	607	853	940
	50%	1351	1695	2487	3544	4520	5198	293	465	656	1027	1456	1600
6"(150mm) OVER PRESS	10%	1275	3843	5765	3274	3950	4536	284	452	644	1014	1427	1574
	20%	1970	2541	3703	5186	6311	7293	385	610	865	1360	1927	2114
	50%	2957	3843	5765	8347	10386	12193	657	1085	1457	2300	3300	3615
8"(200mm) OVER PRESS	10%	2310	3045	3680	4737	5955	7137	509	805	1129	1798	2545	2800
	20%	3581	4736	5799	7570	9601	11576	686	1085	1535	2420	3424	3750
	50%	5422	7241	9199	12462	16162	19779	1173	1856	2617	4156	5786	6410
10"(250mm) OVER PRESS	10%	3565	3876	5135	6972	9039	10924	800	1255	1389	2780	3925	4293
	20%	5542	6051	8143	11221	14671	17829	1013	1700	2400	3790	5350	5857
	50%	8464	9353	13135	18805	25110	30928	1823	2900	4087	6423	8345	9997
12"(300mm) OVER PRESS	10%	4003	4332	5935	8529	11247	13747	1155	1780	2667	3987	5749	6200
	20%	6236	6781	9447	13779	18320	22507	1548	2440	3450	5489	7698	8448
	50%	9578	10557	15338	23314	31626	39340	2643	4150	5868	9230	13090	14210

The B100 Series ensures that tanks and vessels are kept safe during periods of excessive pressure and vacuum caused by filling and emptying of product and changes in temperature due to climatic or external fire sources.

OPEN VENT



- Open or Closed vent available
- Standard Pressure settings + 80 mbarg to 2 barg
- Standard Vacuum settings - 2 mbarg to - 0.8 barg
- Size range 2" (50 mm) - 12" (300 mm)
- Standard body materials - Carbon steel, Stainless steel
- Standard trim material - Stainless steel
- Diaphragm material - FEP
- Removable seats
- Standard full form flanges - ANSI / DIN
- Lightweight design
- **Non standard applications - Consult factory**



3B CONTROLS

3B CONTROLS



PRESSURE & VACUUM RELIEF VALVES

PRESSURE & VACUUM RELIEF VALVES

FEATURES

Low cost maintenance

Lightweight design provides easy handling whilst interchangeable components ensure standard parts are easily replaced.

Testing / Quality

All products are factory tested and fully certified.

Self Draining

All products are designed so that any condensate drains away from all seating areas.

Low leakage

Standard seating design ensures minimum leakage of less than 1 scfh at 90% of set pressure.

Internal Parts

Internal parts are stainless steel as standard. Non standard materials available upon request.

Connections

All valves are supplied with full form flanges to meet individual requirements. Other connections are available upon request.

Non Standard Applications

There are numerous options available for special applications. Exotic materials such as Hastelloy, Monel and various plastics can be offered to suit the most hazardous of environments. Special coatings can be applied for extreme service. For low temperature duties, internal parts can be PTFE coated to prevent seizure.

See separate section in catalogue.

* All products are subject to continuous development and subsequently 3B Controls reserve the right to change specifications outlined in this catalogue without notification.

MATERIALS

Body

Carbon Steel
Stainless Steel

Diaphragm

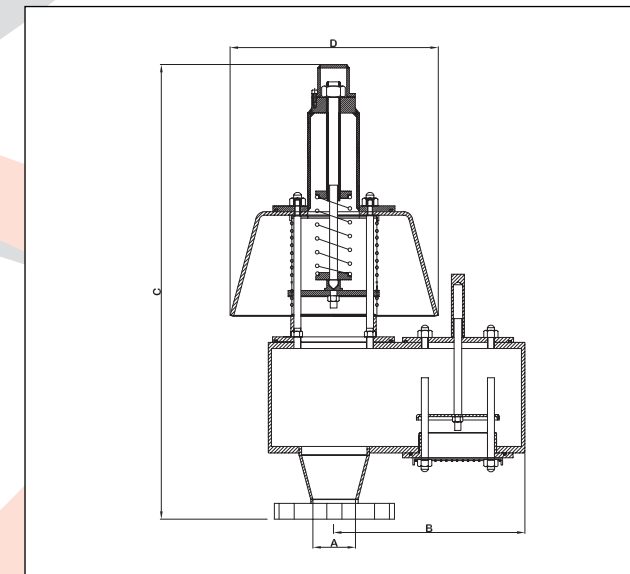
F.E.P
Others consult factory

Internals

Stainless Steel

Flanges

ANSI 125 ANSI 150 RF
DIN Standard flanges



DIMENSIONS

NOM SIZE	A	B	C	D
50 (2")	54	252	568	208
80 (3")	84	308	613	305
100 (4")	108	355	663	380
150 (6")	161	516	718	535
200 (8")	211	576	778	610
250 (10")	255	701	840	680
300 (12")	305	741	914	700

