

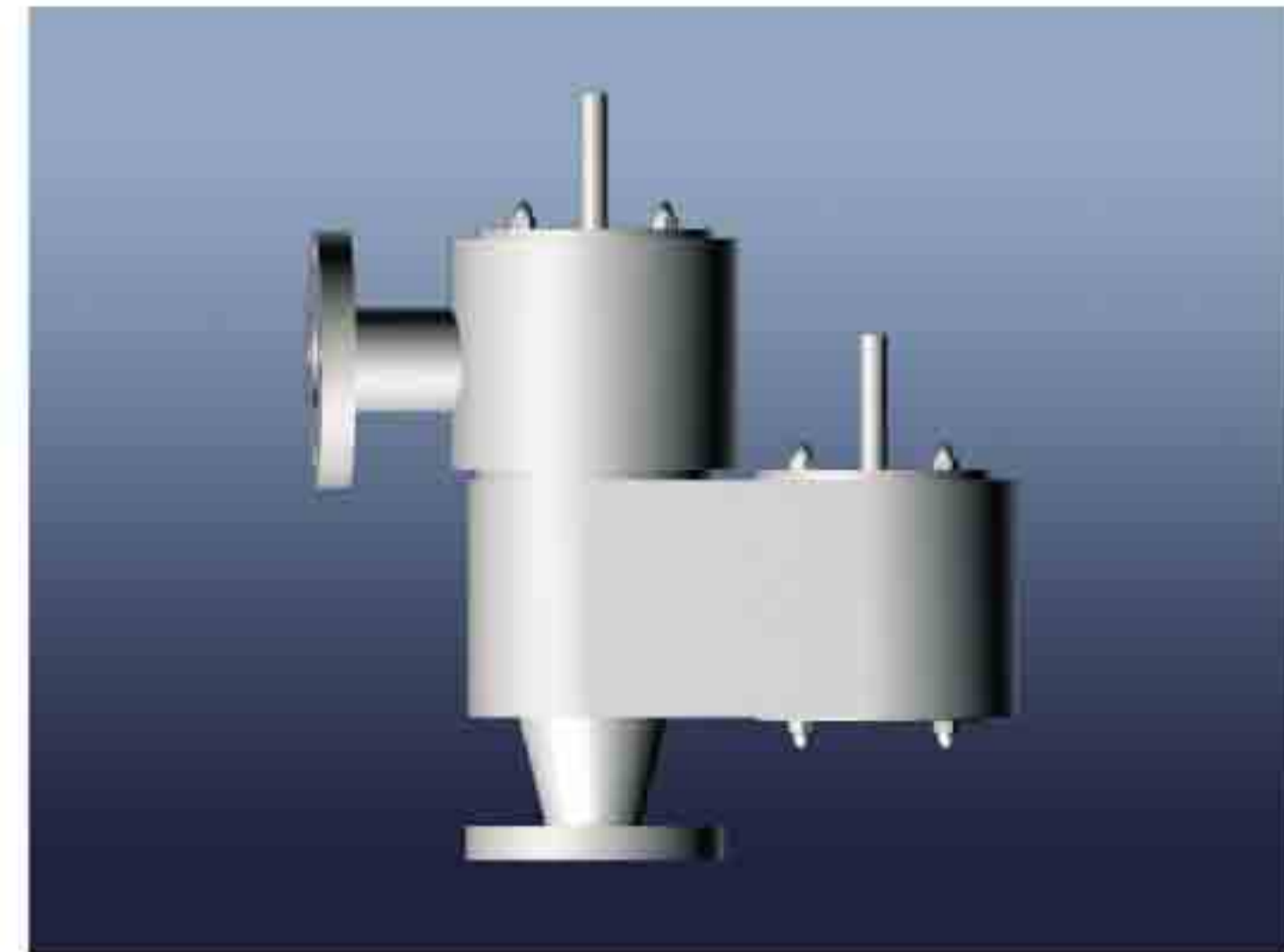
B100 Series Weight loaded Closed vented Pressure & Vacuum Relief Valve

Flow in Nm³/hr

| Size | | Set Pressure mbarg | | | | | | Set Vacuum mbarg | | | | | |
|-------------|----------------|--------------------|------|------|------|-------|-------|------------------|------|------|------|-------|-------|
| | | 2 | 5 | 10 | 25 | 50 | 70 | 2 | 5 | 10 | 25 | 50 | 70 |
| 2" (50mm) | OVER PRESS 10% | 30 | 46 | 67 | 105 | 150 | 180 | 32 | 50 | 71 | 113 | 159 | 174 |
| | 20% | 36 | 57 | 82 | 125 | 184 | 210 | 43 | 68 | 96 | 151 | 214 | 234 |
| | 50% | 71 | 113 | 155 | 250 | 358 | 410 | 73 | 115 | 163 | 258 | 383 | 400 |
| 3" (80mm) | OVER PRESS 10% | 68 | 103 | 152 | 243 | 349 | 409 | 72 | 113 | 160 | 255 | 355 | 390 |
| | 20% | 79 | 131 | 188 | 292 | 411 | 480 | 96 | 152 | 215 | 340 | 483 | 527 |
| | 50% | 155 | 250 | 352 | 555 | 772 | 930 | 163 | 260 | 369 | 578 | 828 | 902 |
| 4" (100mm) | OVER PRESS 10% | 120 | 191 | 277 | 427 | 593 | 711 | 128 | 200 | 285 | 450 | 630 | 700 |
| | 20% | 145 | 232 | 320 | 500 | 724 | 851 | 172 | 271 | 385 | 607 | 853 | 940 |
| | 50% | 280 | 446 | 623 | 1006 | 1400 | 1647 | 293 | 465 | 656 | 1027 | 1456 | 1600 |
| 6" (150mm) | OVER PRESS 10% | 277 | 432 | 613 | 949 | 1352 | 1649 | 284 | 452 | 644 | 1014 | 1427 | 1574 |
| | 20% | 321 | 512 | 727 | 1153 | 1652 | 1900 | 385 | 610 | 865 | 1360 | 1927 | 2114 |
| | 50% | 623 | 1001 | 1398 | 2200 | 3100 | 3693 | 657 | 1085 | 1457 | 2300 | 3300 | 3615 |
| 8" (200mm) | OVER PRESS 10% | 470 | 750 | 1050 | 1700 | 2400 | 2800 | 509 | 805 | 1129 | 1798 | 2545 | 2800 |
| | 20% | 580 | 900 | 1260 | 2050 | 2900 | 3400 | 686 | 1085 | 1535 | 2420 | 3424 | 3750 |
| | 50% | 1100 | 1750 | 2490 | 3900 | 5609 | 6600 | 1173 | 1856 | 2617 | 4156 | 5786 | 6410 |
| 10" (250mm) | OVER PRESS 10% | 755 | 1202 | 1669 | 2658 | 3759 | 4500 | 800 | 1255 | 1389 | 2780 | 3925 | 4293 |
| | 20% | 904 | 1397 | 2003 | 3153 | 4604 | 5207 | 1013 | 1700 | 2400 | 3790 | 5350 | 5857 |
| | 50% | 1708 | 2750 | 3909 | 6197 | 8600 | 10300 | 1823 | 2900 | 4087 | 6423 | 8345 | 9997 |
| 12" (300mm) | OVER PRESS 10% | 1048 | 1702 | 2453 | 3801 | 5403 | 6298 | 1155 | 1780 | 2667 | 3987 | 5749 | 6200 |
| | 20% | 1299 | 2055 | 2902 | 4510 | 6405 | 7507 | 1548 | 2440 | 3450 | 5489 | 7698 | 8448 |
| | 50% | 2510 | 4001 | 5600 | 8798 | 12497 | 14806 | 2643 | 4150 | 5868 | 9230 | 13090 | 14210 |

The B100 Series ensures that tanks and vessels are kept safe during periods of excessive pressure and vacuum caused by filling and emptying of product and changes in temperature due to climatic or external fire sources.

CLOSED VENT



- Open or Closed vent available
- Standard Pressure settings + 2 mbarg to 100 mbarg
- Standard Vacuum settings: - 2 mbarg to - 60 mbarg
- Size range 2" (50 mm) - 12" (300 mm)
- Standard body materials - Aluminium, Carbon steel, Stainless steel
- Standard trim material - Stainless steel
- Diaphragm material - FEP
- Removable seats
- Standard full form flanges - ANSI / DIN
- Lightweight design
- **Non standard applications - Consult factory**



3B CONTROLS

3B CONTROLS



PRESSURE & VACUUM RELIEF VALVES

PRESSURE & VACUUM RELIEF VALVES

FEATURES

Low cost maintenance

Lightweight design provides easy handling whilst interchangeable components ensure standard parts are easily replaced.

Testing / Quality

All products are factory tested and fully certified.

Self Draining

All products are designed so that any condensate drains away from all seating areas.

Low leakage

Standard seating design ensures minimum leakage of less than 1 scfh at 90% of set pressure.

Internal Parts

Internal parts are stainless steel as standard. Non standard materials available upon request.

Connections

All valves are supplied with full form flanges to meet individual requirements. Other connections are available upon request.

Non Standard Applications

There are numerous options available for special applications. Exotic materials such as Hastelloy, Monel and various plastics can be offered to suit the most hazardous of environments. Special coatings can be applied for extreme service. For low temperature duties, internal parts can be PTFE coated to prevent seizure.

See separate section in catalogue.

* All products are subject to continuous development and subsequently 3B Controls reserve the right to change specifications outlined in this catalogue without notification.

MATERIALS

Body

Aluminium
Carbon Steel
Stainless Steel

Diaphragm

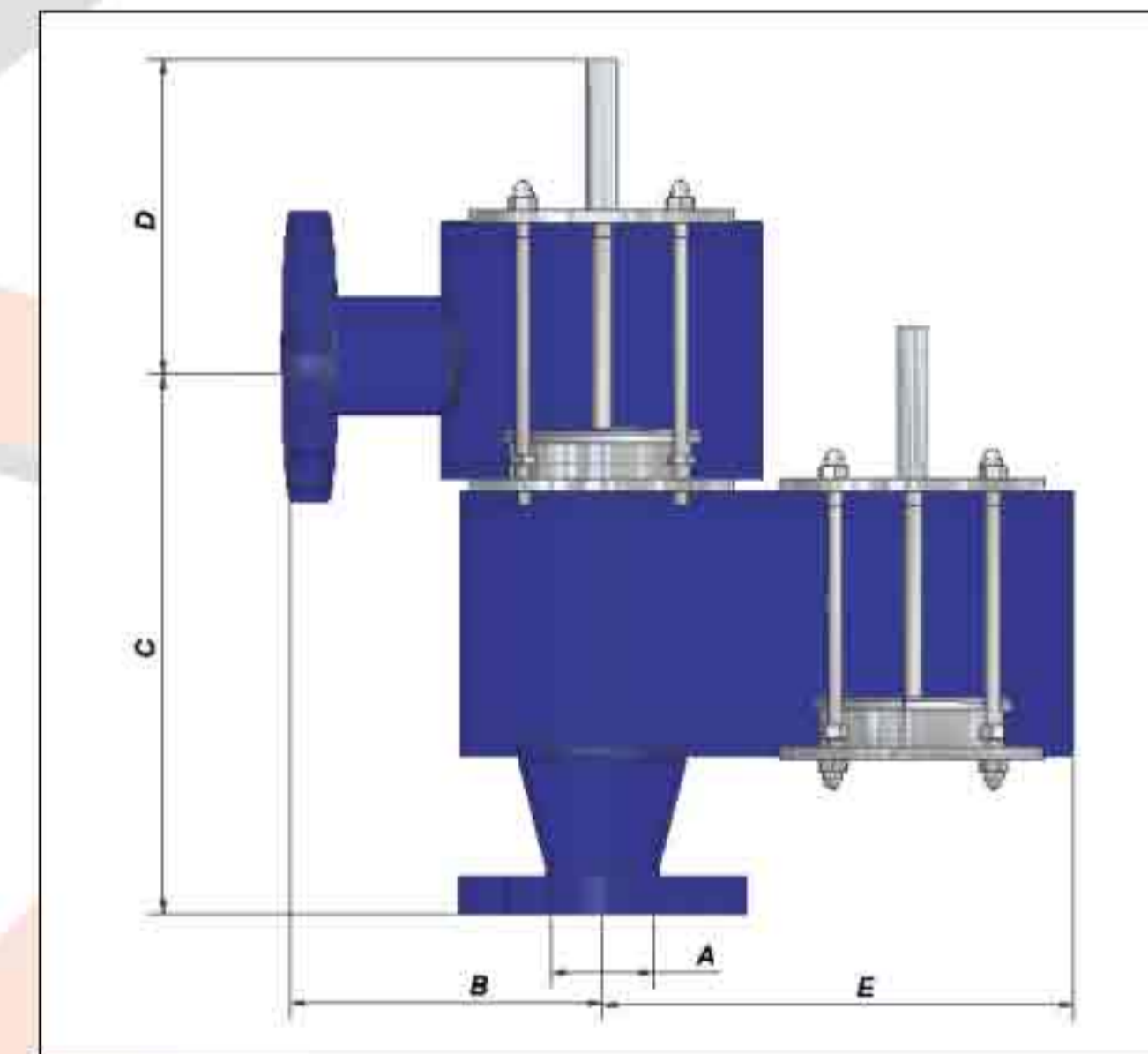
F.E.P
Others consult factory

Internals

Stainless Steel

Flanges

ANSI 125 ANSI 150 RF
DIN Standard flanges



DIMENSIONS

| NOM SIZE | A | B | C | D | E |
|-----------|-----|-----|-----|-----|-----|
| 50 (2") | 54 | 165 | 285 | 167 | 250 |
| 80 (3") | 84 | 190 | 328 | 192 | 287 |
| 100 (4") | 108 | 218 | 410 | 221 | 330 |
| 150 (6") | 161 | 251 | 471 | 254 | 380 |
| 200 (8") | 211 | 289 | 542 | 292 | 437 |
| 250 (10") | 255 | 332 | 623 | 336 | 503 |
| 300 (12") | 305 | 382 | 716 | 386 | 578 |

