

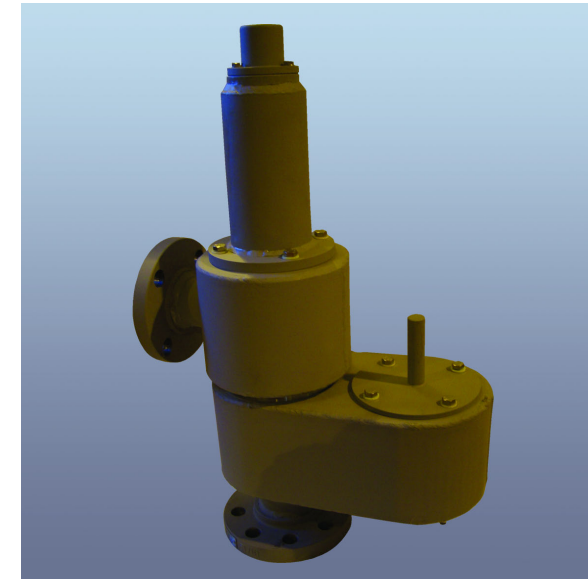
B100s Series spring loaded closed vented Pressure & Vacuum Relief Valve

Flow in m³/hr

Size	Set Pressure mbarg						Set Vacuum mbarg						
	70	100	250	500	750	1000	2	5	10	25	50	60	
2"(50mm) OVER PRESS	10%	112	125	206	269	336	393	32	50	71	113	159	174
	20%	172	193	317	416	522	612	43	68	96	151	214	234
	50%	255	285	473	627	794	941	73	115	163	258	363	400
3"(80mm) OVER PRESS	10%	254	291	449	619	767	818	72	113	160	255	355	390
	20%	392	448	694	963	1199	1285	96	152	215	340	483	527
	50%	581	666	1044	1474	1862	2020	163	260	369	578	828	902
4"(100mm) OVER PRESS	10%	433	498	784	1049	1271	1432	128	200	285	450	630	700
	20%	666	768	1216	1638	1997	2261	172	271	385	607	853	940
	50%	990	1145	1840	2531	3139	3603	293	465	656	1027	1456	1600
6"(150mm) OVER PRESS	10%	1020	1312	1690	2273	2775	3187	284	452	644	1014	1427	1574
	20%	1575	2033	2645	3601	4435	5124	385	610	865	1360	1927	2114
	50%	2365	3074	4118	5796	7298	8567	657	1085	1457	2300	3300	3615
8"(200mm) OVER PRESS	10%	1621	1903	2657	3618	4990	5900	509	805	1129	1798	2545	2800
	20%	2513	2960	4188	5783	8044	9569	686	1085	1535	2420	3424	3750
	50%	3805	4525	6643	9519	13541	16351	1173	1856	2617	4156	5786	6410
10"(250mm) OVER PRESS	10%	2575	3299	4201	5705	7208	8711	800	1255	1389	2780	3925	4293
	20%	4002	5151	6662	9181	11699	14218	1013	1700	2400	3790	5350	5857
	50%	6113	7963	10747	15386	20025	24664	1823	2900	4087	6423	8345	9997
12"(300mm) OVER PRESS	10%	3503	3739	4920	6888	8857	10826	1155	1780	2667	3987	5749	6200
	20%	5456	5852	7831	11129	14427	17725	1548	2440	3450	5489	7698	8448
	50%	8381	9110	12756	18830	24905	30980	2643	4150	5868	9230	13090	14210

The B100 Series ensures that tanks and vessels are kept safe during periods of excessive pressure and vacuum caused by filling and emptying of product and changes in temperature due to climatic or external fire sources.

CLOSED VENT



- Open or Closed vent available
- Standard Pressure settings + 80 mbarg to 1 barg
- Standard Vacuum settings - 2 mbarg to - 60 mbarg
- Size range 2" (50 mm) - 12" (300 mm)
- Standard body materials - Carbon steel, Stainless steel
- Standard trim material - Stainless steel
- Diaphragm material - FEP
- Removable seats
- Standard full form flanges - ANSI / DIN
- Lightweight design
- **Non standard applications - Consult factory**



3B CONTROLS

3B CONTROLS



PRESSURE & VACUUM RELIEF VALVES

PRESSURE & VACUUM RELIEF VALVES

FEATURES

Low cost maintenance

Lightweight design provides easy handling whilst interchangeable components ensure standard parts are easily replaced.

Testing / Quality

All products are factory tested and fully certified.

Self Draining

All products are designed so that any condensate drains away from all seating areas.

Low leakage

Standard seating design ensures minimum leakage of less than 1 scfh at 90% of set pressure.

Internal Parts

Internal parts are stainless steel as standard. Non standard materials available upon request.

Connections

All valves are supplied with full form flanges to meet individual requirements. Other connections are available upon request.

Non Standard Applications

There are numerous options available for special applications. Exotic materials such as Hastelloy, Monel and various plastics can be offered to suit the most hazardous of environments. Special coatings can be applied for extreme service. For low temperature duties, internal parts can be PTFE coated to prevent seizure.

See separate section in catalogue.

* All products are subject to continuous development and subsequently 3B Controls reserve the right to change specifications outlined in this catalogue without notification.

MATERIALS

Body

Carbon Steel
Stainless Steel

Diaphragm

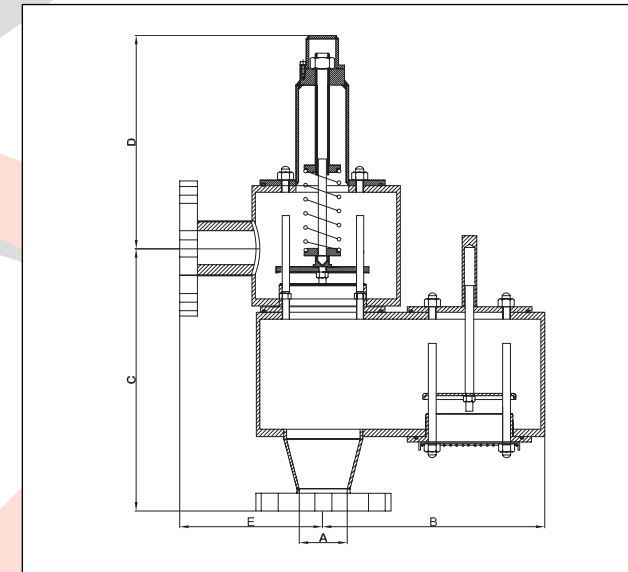
F.E.P
Others consult factory

Internals

Stainless Steel

Flanges

ANSI 125 ANSI 150 RF
DIN Standard flanges



DIMENSIONS

NOM SIZE	A	B	C	D	E
50 (2")	54	252	288	314	135
80 (3")	84	308	328	325	160
100 (4")	108	355	410	352	185
150 (6")	161	516	471	355	251
200 (8")	211	576	542	393	289
250 (10")	255	701	623	490	332
300 (12")	305	741	716	540	382

